

Shower valve rough-in with built in positive diverter - P4323199

Description

- Ceramic disc valve with built in positive diverter
- Pressure Balanced cartridge
- Hot and cold one way check valves
- Forged brass valve body
- Universal 1/2" IPS and 1/2" CC fittings
- Hot and Cold service stops
- Back to back installation
- 4 Anchor points for face plate installation and blocking to secure valve in wall

P4323199



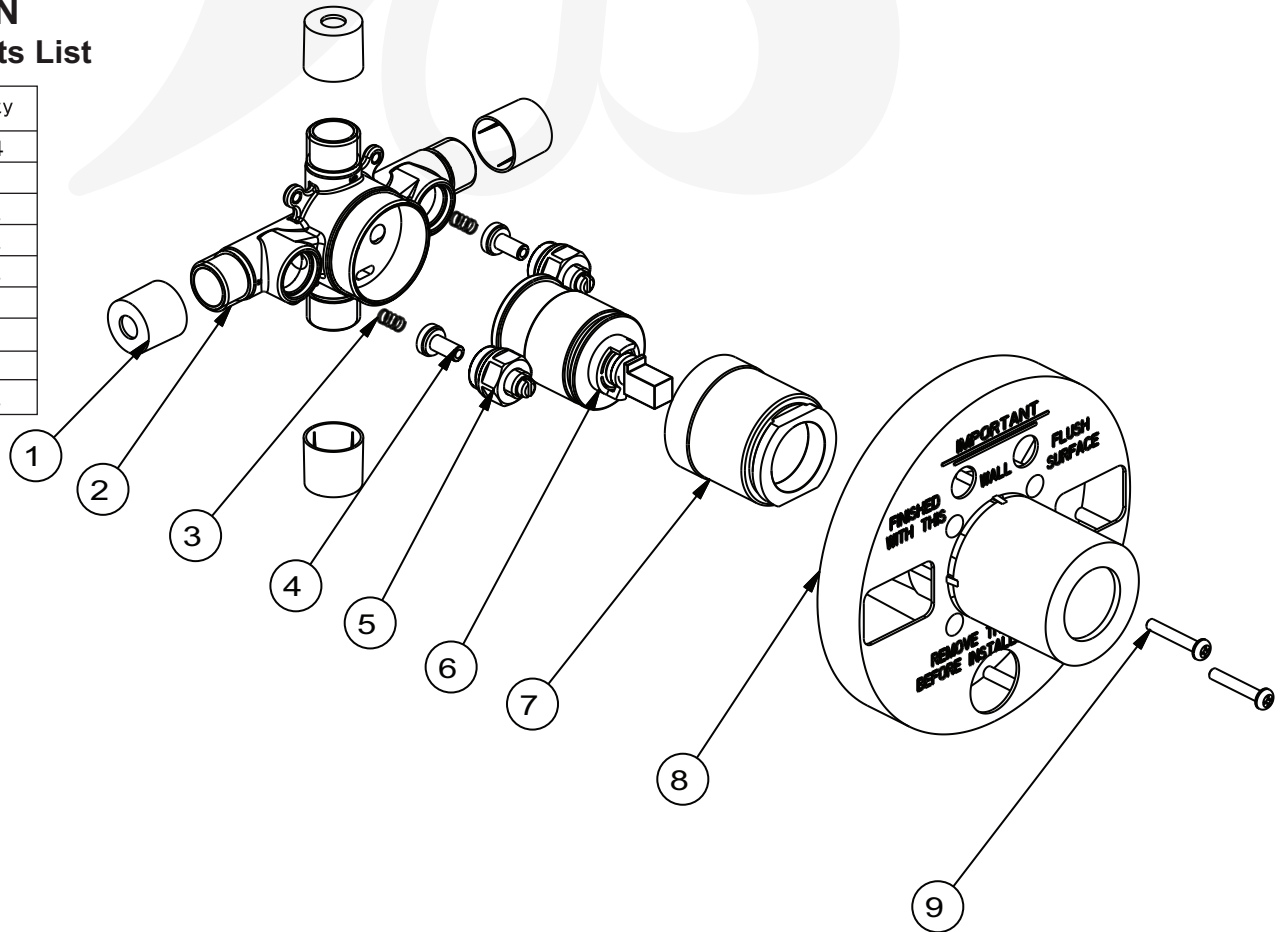
Standards

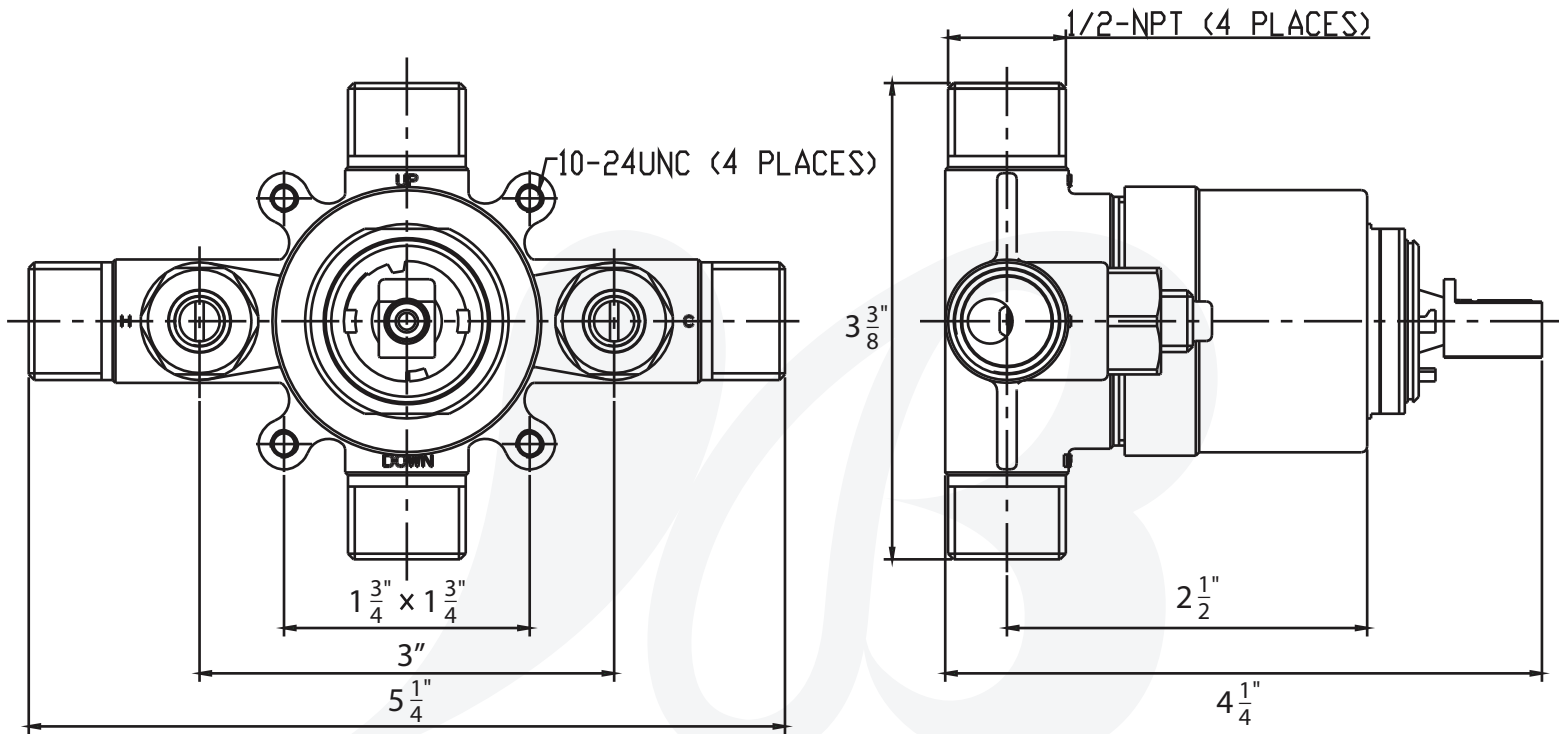
- Complies with IAPMO UPC/cUPC
- ASSE 1016-2011 certified and listed



BREAK DOWN
Component Parts List

NO.	Part No	Qty
01	CTCP0362	4
02	CTYB0792	1
03	CTBT0098	2
04	ATBA0318	2
05	ATBY0328	2
06	ATBA0391	1
07	CTCT0051	1
08	CTCP0361	1
09	CTST1005	2





Item Number	Type	Date
P4323199	Rough-in Valve	3-28-2019